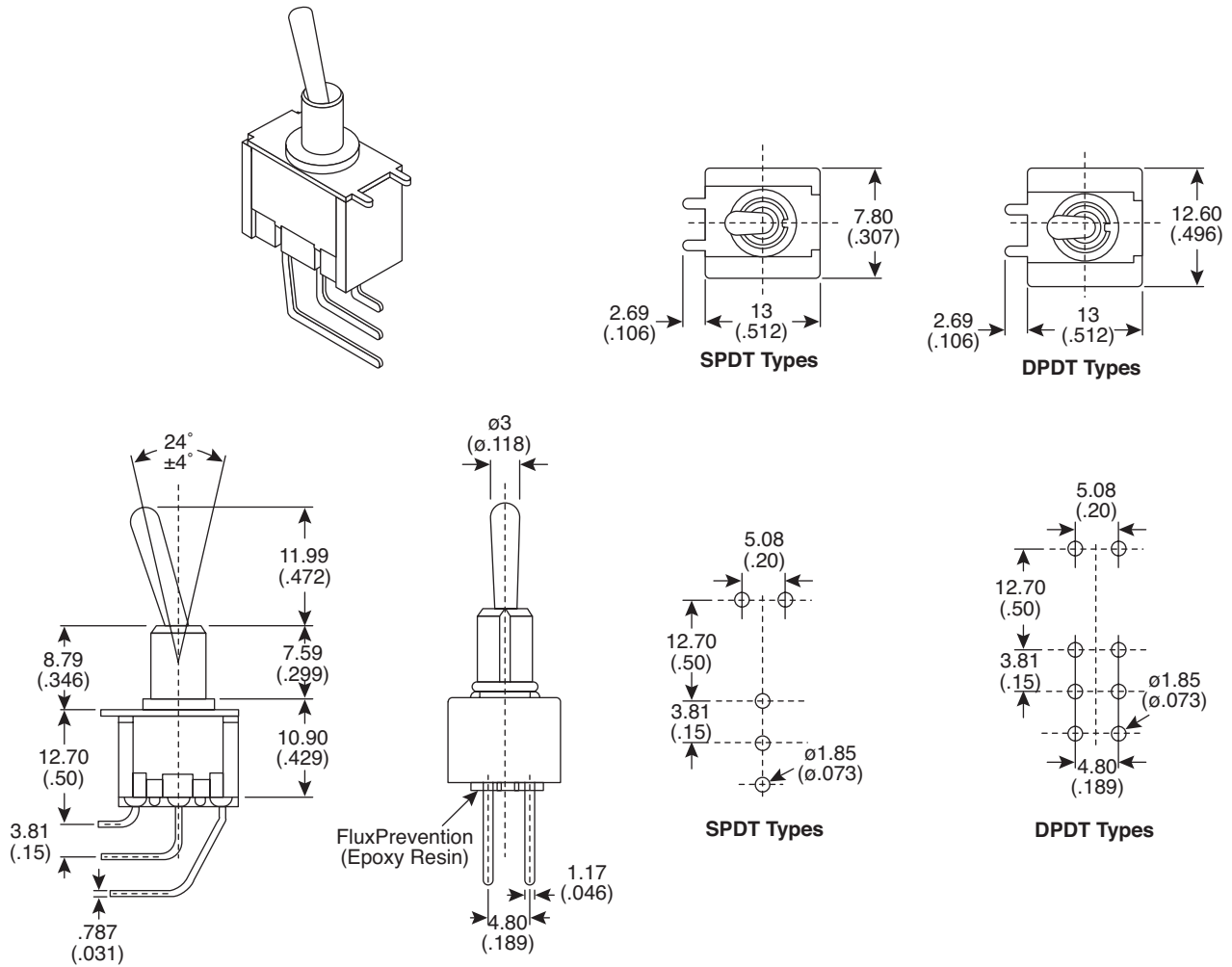


Dimensions: mm (In.)



**Electrical Specifications:**

- Rating: 6A/125VAC, 3A/250VAC
- Dielectric Strength: 1000VAC for 1 minute
- Insulation resistance: 100MΩ min.
- Contact resistance: 20mΩ max.
- Electrical life: 10,000 cycles min.

**Mechanical Specifications:**

- Mechanical life: 30,000 cycles min.

**Materials:**

- Terminals: gold plated

() = Momentary Contact

Mouser Stock No.	Type	Circuit
10TF130	SPDT	On-On
10TF132	SPDT	On-(On)
10TF135	SPDT	On-Off-On
10TF140	SPDT	On-Off-(On)
10TF145	SPDT	(On)-Off-(On)
10TF160	DPDT	On-On
10TF162	DPDT	On-(On)
10TF165	DPDT	On-Off-On
10TF170	DPDT	On-Off-(On)
10TF175	DPDT	(On)-Off-(On)

**Miniature Toggle Switches**

10TF130, 10TF132, 10TF135, 10TF140, 10TF145,  
10TF160, 10TF162, 10TF165, 10TF170, 10TF175

